

# AIS-3295 Series

Mini-ITX Fanless Skylake-S Platform H110  
LGA1151 for Intel Core i7/i5/i3 CPU, PClex16  
VGA/HDMI/DP, 2LAN, 2COM, 8USB, DC-input



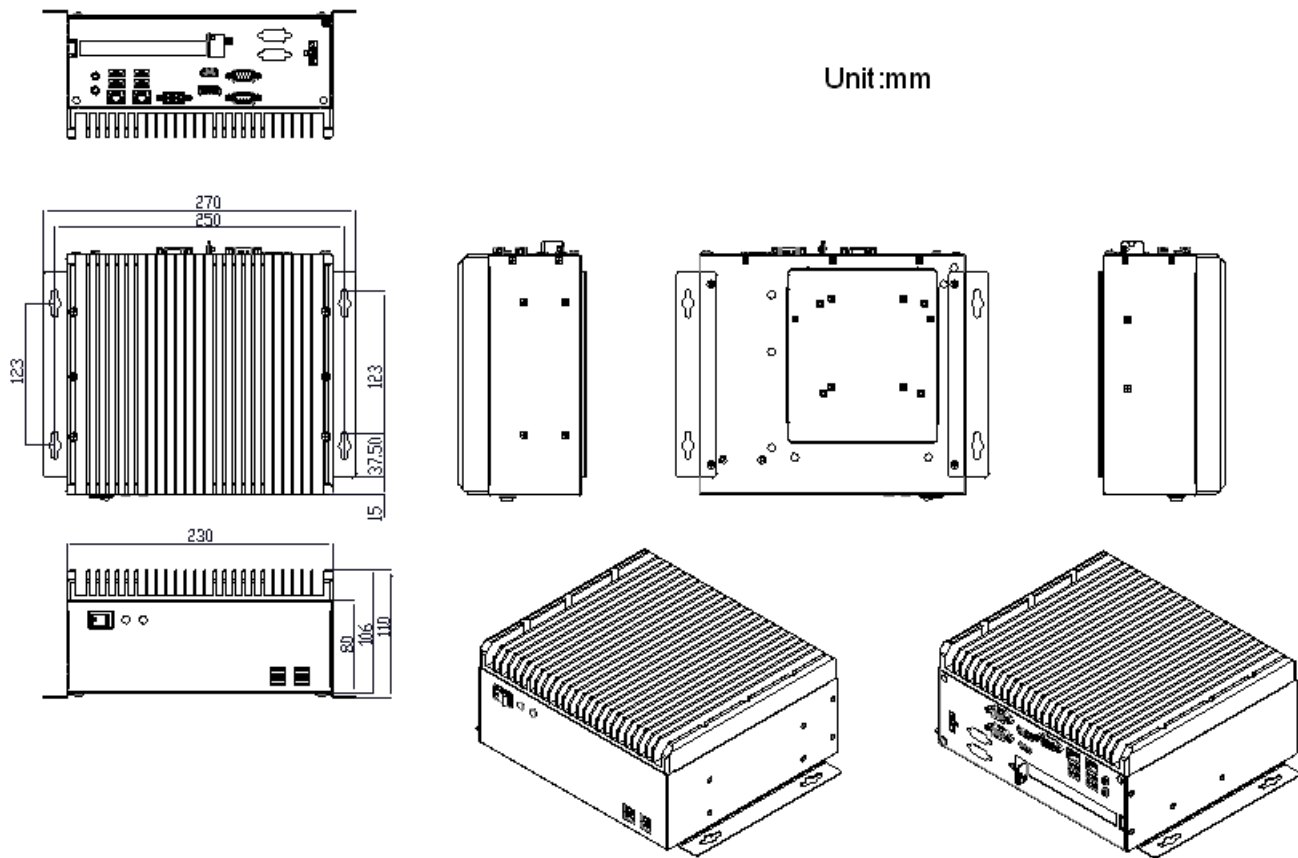
## Features

- Fanless Mini-ITX system with Intel H110 Chipset, supports Socket LGA-1151 Intel Core i7/i5/i3 (Skylake-S, Kblake-S) Processors
- Dual Channel DDR4, 2 x SO-DIMM, up to 32GB system memory
- Dual display VGA/HDMI/DP, Dual LAN by Intel I219V, I210
- 2xCOM(1xRS-232/422/485, 1xRS-232), option 2xCOM(RS-232)
- 4 x USB 3.0 on rear, 4xUSB 2.0 on front. One 2.5" HDD space
- One PClex16 slot for half-size add-on card expansion
- DC 12V ~ 24V input with short circuit protection
- 0°C ~ 50°C harsh operation environment

## Specifications

AIS-3295 Series Key Features		AIS-3295-7E-M0-00P0	AIS-3295-5E-M0-00P0	AIS-3295-3E-M0-00P0
Processor System	CPU (SKL-S / KBL-S)	i7-6700TE / i7-7700T	i5-6500TE / i5-7500T	i3-6100TE / i3-7100T
	Cache / Core	8MB, 4-Core	6MB, 4-Core	4MB, 2-Core / 3MB, 2-Core
	Frequency	2.4GHz / 2.9GHz	2.3GHz / 2.7GHz	2.7GHz / 3.4GHz
	TDP	35W		
Expansion Slot	Chipset	Intel H110		
	Mini-PCIe	1 x full-size		
	mSATA	1 x full-size		
Memory	Riser for PCIe(x16)	1 x PCIe(x16) riser, supports PClex16 add-on card length up to 200mm		
	Specification (SO-DIMM)	2 x Dual Channel DDR4-2133 MHz SO-DIMM		
Graphics	Max. Capacity	Up to 32 GB system memory		
	VGA	Supports resolution up to 1920x1200 @ 60Hz		
	HDMI	Supports resolution up to 4096x2160 @ 30Hz		
Ethernet	DP	Supports resolution up to 4096x2160 @ 60Hz		
	Interface Controller	Dual GbE, 1 x Intel I219V, 1 x Intel I210		
SATA	Connector	2 x RJ-45		
	SATA 3	4 x SATA3 ( 6.0 Gb/s)		
System Rear I/O	VGA	1 x VGA(DB15)		
	HDMI	1 x HDMI		
	DP	1 x DP		
	Ethernet	2 x RJ45		
	USB ( IMB I/O shield)	4 x USB3.0		
	Serial (IMB I/O shield)	2 x COM (COM1 RS-232/422/485 are selectable by BIOS, COM2 RS-232)		
	Audio	1 x Audio ports (Mic-in, Line-out)		
System Storage	HDD Driver Space	1 x HDD Space for one 2.5" HDD		
Optional Features on Rear I/O	COM3/COM4	2 x COM ( RS-232) by DB9		
	GPIO	1 x DB-9 or DB-15 for 4 x GPI + 4 x GPO by inquiry		
	LVDS	1 x LVDS (DB-26) by inquiry		
System Front Bezel	Power On-Off Switch	1 x Soft switch		
	Power LED	1x LED for system power status		
	HDD LED	1x LED for HDD data access status		
	USB 2.0	4 x USB 2.0		
Operation System	Windows 10	Win10 IoT 32-bit, 64-bit ( KBL-S only)		
	Windows 8/8.1	Windows 8, Windows 8.1 32-bit, 64-bit		
	Windows 7	Win 7, WS7E, WS7P 32-bit, 64-bit		
Watchdog Timer	Output and Interval	System reset, programmable 1-255 sec/min; 1 sec. or 1min. / step		
System Power	DC Input	1 x 2-pin phoenix connector for DC 12V ~ 24V input with short circuit protection		
Environment	Operating Temperature	0 ~ 50°C ( 32 ~ 122°F )		
	Air Flow Condition	45 ~ 50°C ( 32 ~ 122°F ) with 0.7m/s air flow		
	Storage Temperature	-40 ~ 85°C ( -40 ~ 185°F )		
Physical Size	Dimensions	230mm(W) x 208mm(D) x 106mm(H)		
Packing Size	Dimensions	300mm(W) x 300mm(D) x 170mm(H)		
Weight	N.W. / G.W.	4.0Kg / 4.5Kg		
Certifications	EMC	CE, FCC Class B		

## Dimension Drawing



## Ordering Information

Part Number	CPU	VGA/HDMI/DP	PClex16	GbE	UBS3.0	USB2.0	COM	Memory	SSD/HDD
AIS-3295-7E-M0-00P0	i7-6700TE	1	1	2	2	4	2	Option	Option
AIS-3295-5E-M0-00P0	i5-6500TE	1	1	2	2	4	2	Option	Option
AIS-3295-5E-M4-00P0	i5-6500TE	1	1	2	2	4	2	4GB	Option
AIS-3295-3E-M4-H5P0	i3-6100TE	1	1	2	2	4	2	4GB	Option
AIS-3295-Bare	Option	1	1	2	2	4	2	Option	Option

## Optional Items

Part Number	Description
SODIMM-DDR4-4GB/8GB	204-Pin SODIMM DDR4-2133, 4GB/8GB
MSD-M032 / M064	mSATA SSD Module interface SATA III (6.0Gb/s), MLC, Toshiba TSOP 19mn, 32GB / 64GB
SSD3-064/128	2.5" SATA3 SSD MLC, 64GB/128GB
SAHDD-500	2.5" SATA HDD 500GB
AIS-WM-BK	AIS Chassis Wall Mount Bracket Kits, Black, with Screws ( Same design for AIS-2000 and AGS-3000 series)
AES-DBAE1-60W-2P	AC-DC 12V@5A 60W Adapter, with 2-pin Terminal Block
AES-AHAN2-120W-2P	AC-DC 12V@10A 120W Adapter, with 2-pin Terminal Block